

# AH402H

## High voltage bipolar latch Hall chip

### 1. Product Introduction

AH402H is a high-voltage bipolar Hall switch chip manufactured using a high-voltage bipolar process. The chip is composed of voltage stabilizing unit, Hall voltage generator, differential amplifier circuit, temperature compensation circuit and Open collector output circuit. Working mode: input Magnetic flux density and output digital voltage signal. The chip has the ability to withstand high voltage surges and has strong noise resistance; Suitable for various fields such as electronic consumption, automotive, and industrial control. Provide TO92S inline packaging, SMT SOT23-3L packaging, and all packaging meets RoHS standards.



### 4. Product packaging

Part No.	Packages	Temperature range	Packing
AH402HUA	TO92S	-40°C~150°C	1000/bag
AH402HSU	SOT23-3L	-40°C~150°C	3000/ reel

### 2. Function

- Open collector output
- ESD:  $\pm 4\text{kV}$
- Operating voltage: 3.0V~60V
- Overvoltage protection capability: 80V
- Maximum driving current :30mA
- Operating temperature range: -40°C~150°C
- Power pin reverse voltage protection

### 3. Application

- Brushless DC motor commutation
- Speed measurement
- Count
- Corner position detection
- Proximity detection
- Suitable for automobiles and extreme industrial environments

# AH402H

## High voltage bipolar latch Hall chip



Alfa Electronics Co.,Ltd

## Contents

1. Product Introduction .....	1
2. Function .....	1
3. Application.....	1
4. Product packaging.....	1
5. Functional Block Diagram.....	3
6. Pin information .....	3
7. Magnetolectric conversion characteristics .....	3
8. Limit parameter.....	4
9. Electromagnetic characteristics .....	4
10. Temperature Performance .....	5
11. Application Circuit.....	5
12. Package Material Information.....	6
13. Historic version.....	8
14. Notes .....	8

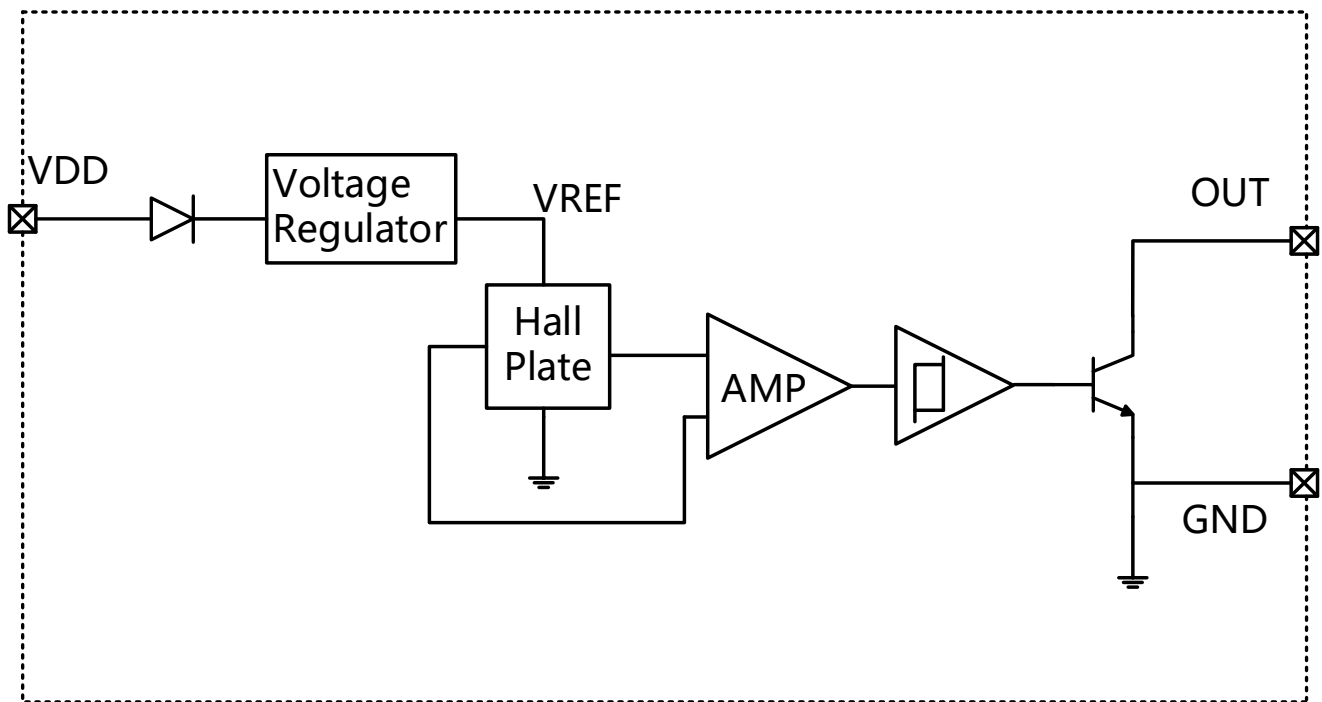
# AH402H

## High voltage bipolar latch Hall chip



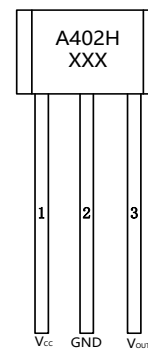
Alfa Electronics Co.,Ltd

### 5. Functional Block Diagram

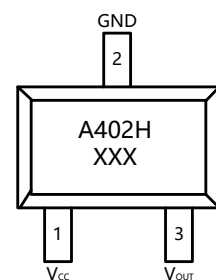


### 6. Pin information

No.	Name	Functions
1	V <sub>CC</sub>	Power supply
2	GND	Ground
3	V <sub>OUT</sub>	Output

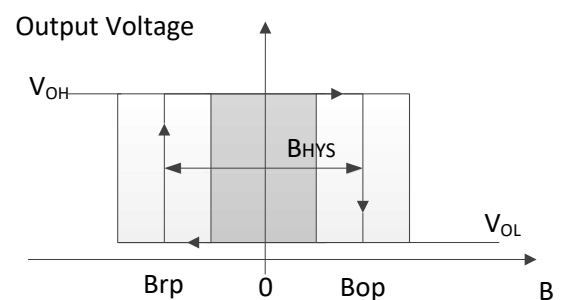
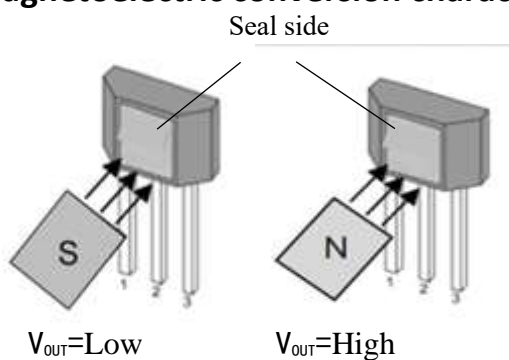


TO92S



SOT23-3L

### 7. Magnetolectric conversion characteristics



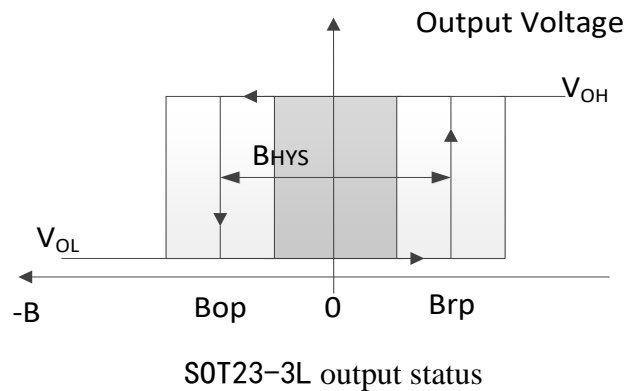
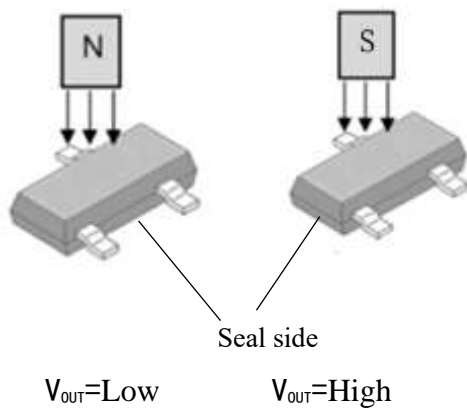
TO92S output status

# AH402H

## High voltage bipolar latch Hall chip



Alfa Electronics Co.,Ltd



### 8. Limit parameter

Parameters	Symbols	Min	Max	Units
Power supply voltage	$V_{CC}$	-60	80	V
Output voltage	$V_{OUT}$	-0.5	80	V
Output current	$I_{OUT}$	0	40	mA
Operating temperature	$T_J$	-40	150	°C
storage temperature	$T_{STG}$	-50	165	°C

The absolute maximum rating is the limit value that a chip can withstand, and exceeding this value may cause permanent damage to the chip.

### 9. Electromagnetic characteristics

Test conditions:  $T_J = -40^{\circ}\text{C} \sim 150^{\circ}\text{C}$ ,  $V_{CC} = 3.0\text{V} \sim 60\text{V}$ ; Typical value test conditions:  $T_J = 25^{\circ}\text{C}$ ,  $V_{CC} = 5\text{V}$ .

Parameters	Symbols	Test conditions	Min	Typ	Max	Units
Electrical performance						
Power supply voltage	$V_{CC}$		3.0		60	V
Power supply current	$I_{CC}$			4.8	8	mA
Output leakage current	$I_{OLEAK}$				10	uA
Output voltage	$V_{SAT}$	$I_{OUT} = 20\text{mA}$			0.4	V
Output current	$I_{OUT}$				30	mA
Output Rise Time	$T_R$	$C_L = 20\text{pF}$			1.0	us
Output Fall Time	$T_F$	$C_L = 20\text{pF}$			1.5	us

# AH402H

## High voltage bipolar latch Hall chip

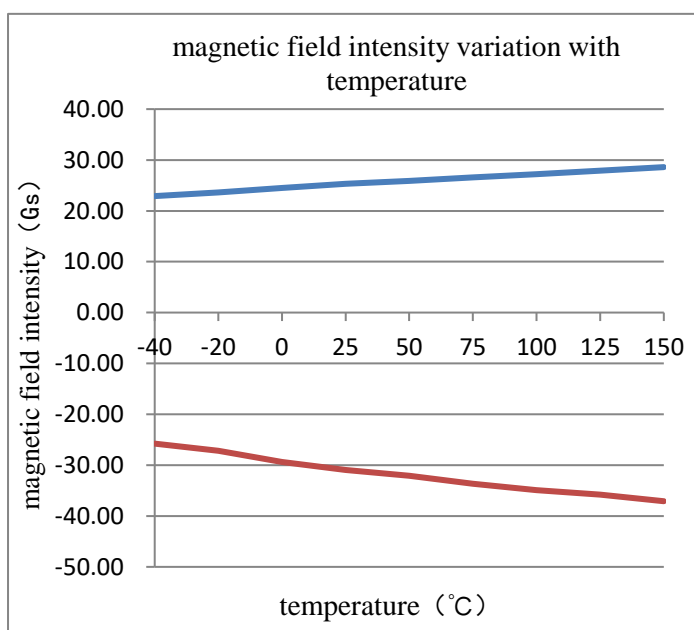


Alfa Electronics Co.,Ltd

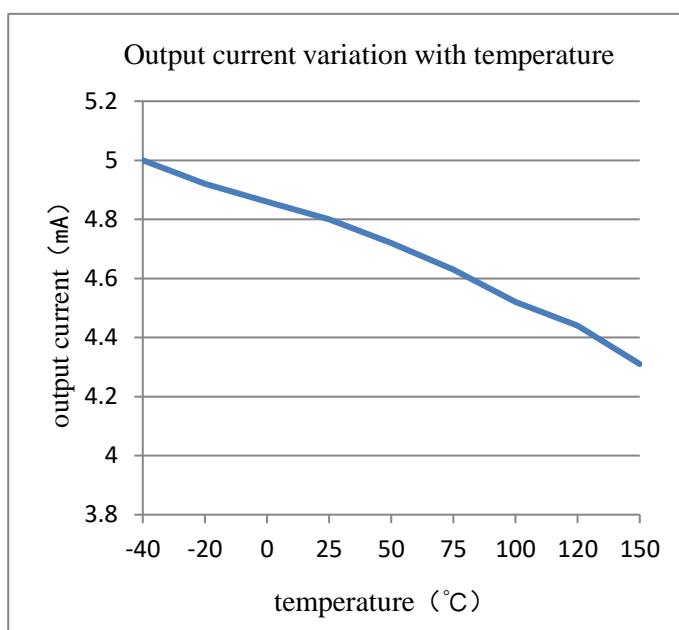
Magnetic performance						
operating point	Bop	$C_L=20\text{pF}$	10	25	40	Gs
release point	Brp	$C_L=20\text{pF}$	-40	-25	-10	Gs
return difference	$B_{HYS}$	$ B_{op}-B_{rp} $		50		Gs

### 10. Temperature Performance

$V_{CC}=5V$ , Bop and Brp Characteristic Performance



$V_{CC}=5V$ , operating current Characteristic Performance



### 11. Application Circuit

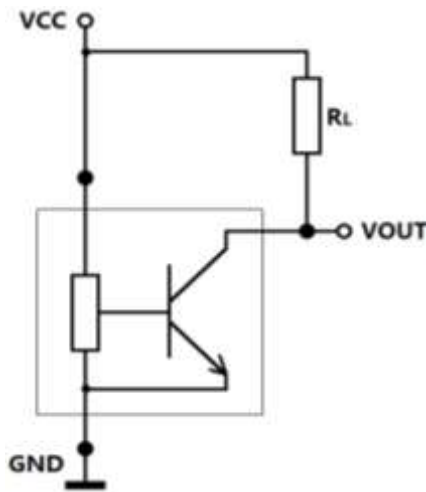
The typical application circuit is shown in the following figure: Application circuit 1, where  $R_L=4.7k\ \Omega$ , which can be applied to most circuits. Application circuit 2, where  $R_V=100\ \Omega$ ,  $C_P=4.7nF$ ,  $R_L=4.7k\ \Omega$ ,  $C_L=1nF$ , is suitable for circuits with interference or radiation interference on power supply lines. It is recommended to connect the resistor  $R_V$  and two capacitors  $C_P$  and  $C_L$  in series in the circuit, and place the resistor and capacitor components as close to the chip as possible.

# AH402H

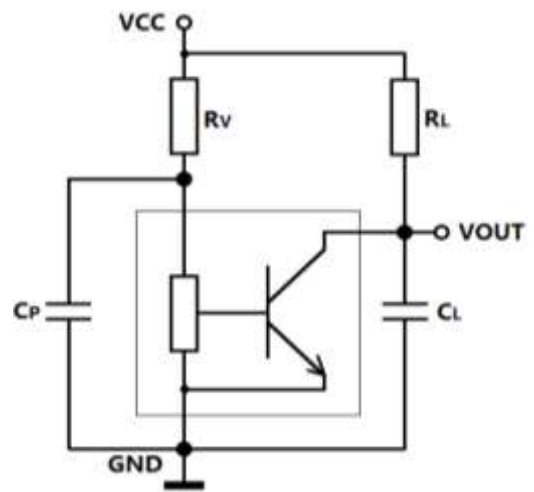
## High voltage bipolar latch Hall chip



Alfa Electronics Co.,Ltd



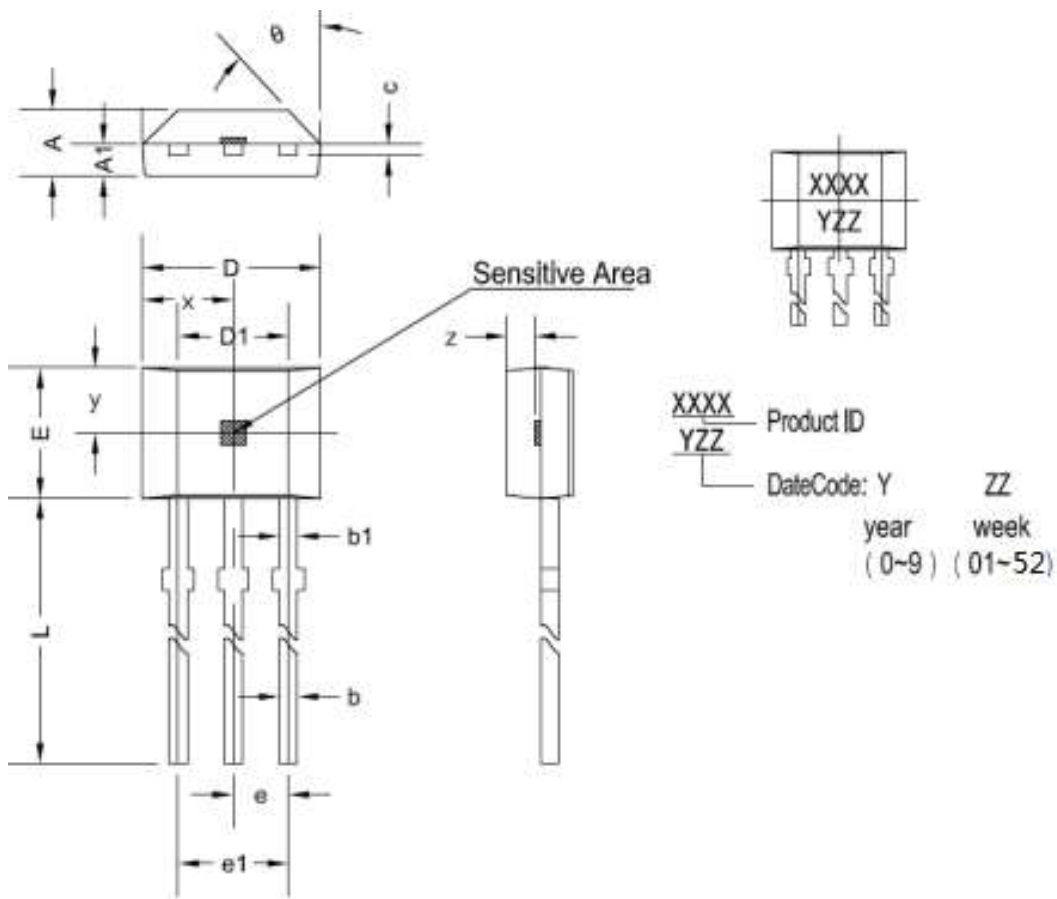
Typical Application Circuit 1



Typical Application Circuit 2

## 12.Package Material Information

### TO92S Package Size



# AH402H

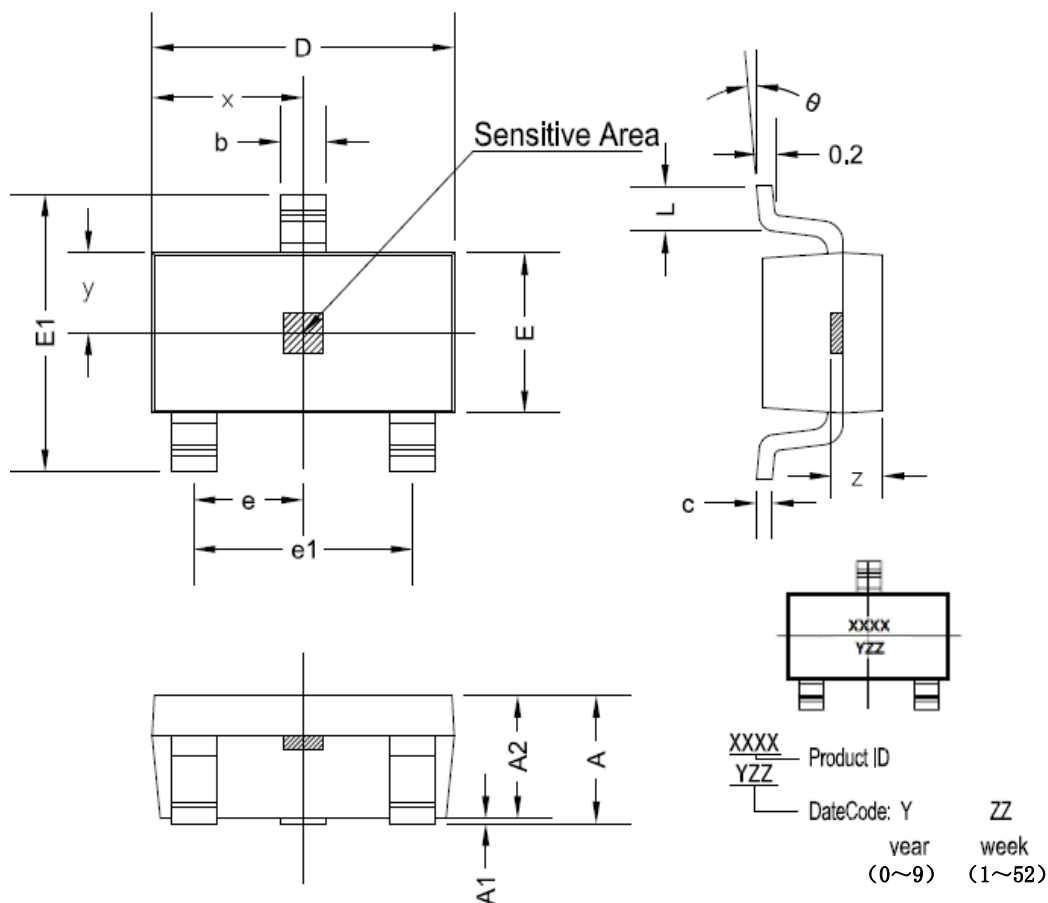
## High voltage bipolar latch Hall chip



Alfa Electronics Co.,Ltd

Symbol	Dimensions in Millimeters		Dimensions in Inches	
	Min	Max	Min	Max
A	1.420	1.670	0.056	0.066
A1	0.660	0.860	0.026	0.034
b	0.350	0.560	0.014	0.022
b1	0.400	0.550	0.016	0.022
C	0.360	0.510	0.014	0.020
D	3.900	4.200	0.154	0.165
D1	2.970	3.270	0.117	0.129
E	2.900	3.280	0.114	0.129
e	1.270TYP		0.050TYP	
e1	2.440	2.640	0.096	0.104
L	13.500	15.500	0.531	0.610
x	2.025TYP		0.080TYP	
y	1.545TYP		0.061TYP	
z	0.500TYP		0.020TYP	
$\theta$	45°TYP		45°TYP	

### SOT23-3L Package Size



# AH402H

## High voltage bipolar latch Hall chip



Alfa Electronics Co.,Ltd

Symbol	Dimensions in Millimeters		Dimensions in Inches	
	Min	Max	Min	Max
A	1.050	1.250	0.041	0.049
A1	0.000	0.100	0.000	0.004
A2	1.050	1.150	0.041	0.045
b	0.300	0.500	0.012	0.020
c	0.100	0.200	0.004	0.008
D	2.820	3.020	0.111	0.119
E	1.500	1.700	0.059	0.067
E1	2.650	2.950	0.104	0.116
e	0.950TYP		0.037TYP	
e1	1.800	2.000	0.071	0.079
L	0.300	0.600	0.012	0.024
x	1.460TYP		0.057TYP	
y	0.800TYP		0.032TYP	
z	0.600TYP		0.024TYP	
$\theta$	0°	8°	0°	8°

### 13.Historic version

Versions	Update date	modify
REV1.0	2020.07	
REV1.1	2022.07	Optimize the minimum working voltage to 3.0V and increase the temperature characteristic curve
REV1.2	2023.04	Layout and formatting

### 14.Notes

- Hall chips are sensitive devices, and electrostatic protection measures should be taken during use, installation, and storage.
- During installation and use, mechanical stress applied to the device casing and leads should be minimized as much as possible.
- It is recommended that the welding temperature should not exceed 350 °C and the duration should not exceed 5 seconds.
- To ensure the safety and stability of Hall chips, it is not recommended to use them beyond the parameter range for a long time.



# AH402H

## High voltage bipolar latch Hall chip



Copyright ©2018, Alfa Electronics Co., Ltd

Alfa Electronics Co., Ltd reserves the right to make, from time to time, such departures from the detail specifications as may be required to permit improvements in the performance, reliability, or manufacturability of its products. Before placing an order, the user is cautioned to verify that the information being relied upon is current.

Alfa's products are not to be used in any devices or systems, including but not limited to life support devices or systems, in which a failure of Alfa's product can reasonably be expected to cause bodily harm.

The information included herein is believed to be accurate and reliable. However, Alfa Electronics Co., Ltd assumes no responsibility for its use; nor for any infringement of patents or other rights of third parties which may result from its use.